

Specifications

Insulation Resistance: 1,000MΩ min. at 500V DC
 Withstanding Voltage: 500V AC rms for 1 minute
 Contact Resistance: 15mΩ max. at 10mA
 Current Rating: 1A
 Operating Temp. Range: -20°C to +85°C
 Soldering Temperature: 260°C / 5 sec.



Materials and Finish

Housing: PBT (glass filled), UL 94V-0 rated
 Contacts: Phosphor Bronze
 Plating: Au over Ni



Features

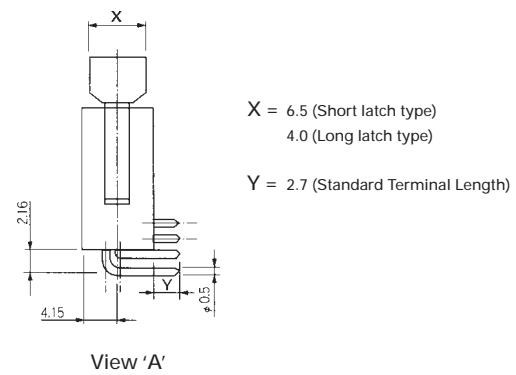
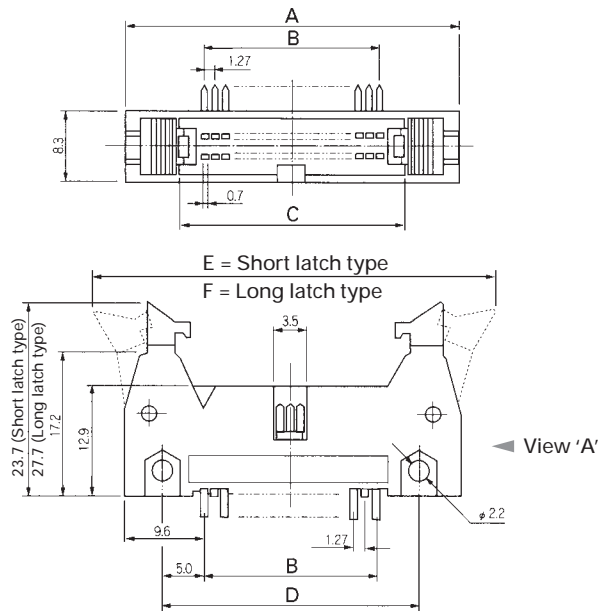
⇨ Contact pitch 1.27mm connectors for high-density mounting

Part Number (Details)

NFP - 64A - 01 * 2 BF

Series (plug)			
No. of Leads			
Latch Type:			
1 = Short Latch			
2 = Long Latch			
Terminal Type:			
2 = Right Angle Solder Dip			
Type of Plating:			
	Base	Mating Face	Solder Terminals
BF	Ni 2.5-4.5μm	Au 0.3μm min.	Au 0.05μm min.

Outline Dimensions



Recommended PCB Layout

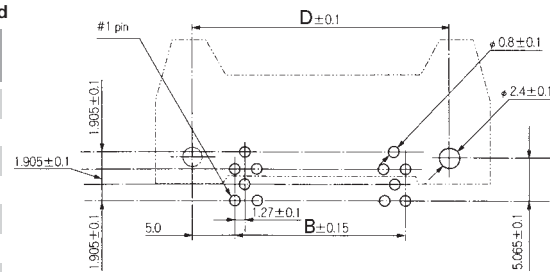
For leads 10, 26, 34 and 50

Top View

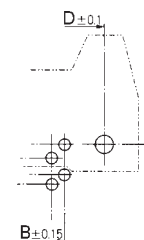
Standard types see table.

For other versions please contact Yamaichi, minimum order quantity may be required

Part Number	No. of Leads	A	B	C	D	E	F
NFP-10A-0122BF	10	24.28	5.08	11.58	15.08	38.2	40.2
NFP-16A-0122BF	16	28.09	8.89	15.39	18.89	42.0	44.0
NFP-20A-0112BF	20	30.63	11.43	17.93	21.43	44.6	46.6
NFP-26A-0112BF	26	34.44	15.24	21.74	25.24	48.4	50.4
NFP-34A-0112BF	34	39.52	20.32	26.82	30.32	53.5	55.5
NFP-34A-0122BF	34	39.52	20.32	26.82	30.32	53.5	55.5
NFP-40A-0112BF	40	43.33	24.12	30.63	34.13	57.3	59.3
NFP-40A-0122BF	40	43.33	24.12	30.63	34.13	57.3	59.3
NFP-50A-0112BF	50	49.68	30.48	36.98	40.48	63.6	65.6
NFP-60A-0112BF	60	56.03	36.83	43.33	46.83	70.0	72.0
NFP-60A-0122BF	60	56.03	36.83	43.33	46.83	70.0	72.0
NFP-64A-0112BF	64	58.57	39.37	45.87	49.37	72.5	74.5
NFP-64A-0122BF	64	58.57	39.37	45.87	49.37	72.5	74.5
NFP-80A-0112BF	80	68.73	49.53	56.03	59.53	82.7	84.7
NFP-80A-0122BF	80	68.73	49.53	56.03	59.53	82.7	84.7
NFP-100A-0112BF	100	81.43	62.23	68.73	72.23	95.4	97.4
NFP-100A-0122BF	100	81.43	62.23	68.73	72.23	95.4	97.4



For all other leads

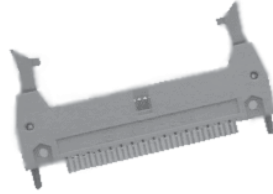


Specifications

Insulation Resistance: 1,000MΩ min. at 500V DC
 Withstanding Voltage: 500V AC rms for 1 minute
 Contact Resistance: 15mΩ max. at 10mA
 Current Rating: 1A
 Operating Temp. Range: -20°C to +85°C
 Soldering Temperature: 260°C / 5 sec.

Materials and Finish

Housing: PBT (glass filled), UL 94V-0 rated
 Contacts: Phosphor Bronze
 Plating: Au over Ni



Features

☞ Contact pitch 1.27mm connectors for high-density mounting

Part Number (Details)

NFP - 64A - 0* * 4 BF

Series (plug)

No. of Leads

Board Screw Option:

1 = Provided (Standard)
 3 = Not Provided

Latch Type:

0 = Without Latch
 1 = Short Latch
 2 = Long Latch

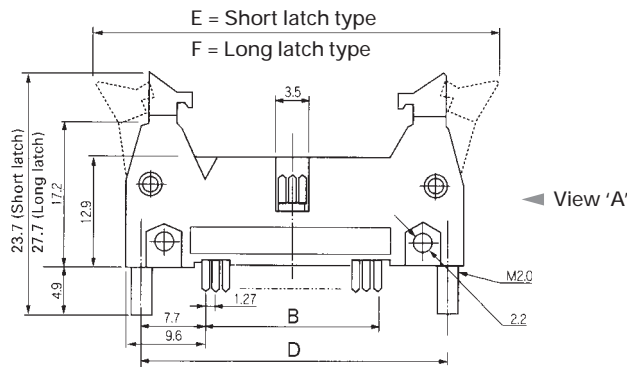
Terminal Type:

4 = Straight Solder Dip

Type of Plating:

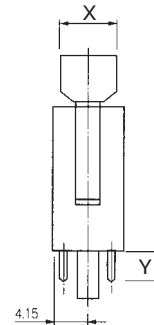
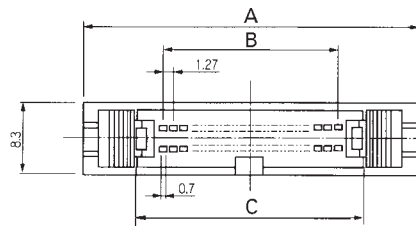
	Base	Mating Face	Solder Terminals
BF	Ni 2.5-4.5μm	Au 0.3μm min.	Au 0.05μm min.

Outline Dimensions



Standard types see table. For other versions please contact Yamaichi, minimum order quantity may be required

Part Number	No. of Leads	A	B	C	D	E	F
NFP-10A-0114BF	10	24.28	5.08	11.58	20.48	38.2	40.2
NFP-10A-0124BF	10	24.28	5.08	11.58	20.48	38.2	40.2
NFP-16A-0104BF	16	28.09	8.89	15.39	24.29	42.0	44.0
NFP-16A-0114BF	16	28.09	8.89	15.39	24.29	42.0	44.0
NFP-20A-0114BF	20	30.63	11.43	17.93	26.83	44.6	46.6
NFP-20A-0124BF	20	30.63	11.43	17.93	26.83	44.6	46.6
NFP-26A-0114BF	26	34.44	15.24	21.74	30.64	48.4	50.4
NFP-26A-0124BF	26	34.44	15.24	21.74	30.64	48.4	50.4
NFP-26A-0134BF	26	34.44	15.24	21.74	30.64	48.4	50.4
NFP-34A-0114BF	34	39.52	20.32	26.82	35.72	53.5	55.5
NFP-34A-0124BF	34	39.52	20.32	26.82	35.72	53.5	55.5
NFP-40A-0114BF	40	43.33	24.12	30.63	39.53	57.3	59.3
NFP-40A-0124BF	40	43.33	24.12	30.63	39.53	57.3	59.3
NFP-50A-0124BF	50	49.68	30.48	36.98	45.88	63.6	65.6
NFP-50A-0314BF	50	49.68	30.48	36.98	45.88	63.6	65.6
NFP-50A-0324BF	50	49.68	30.48	36.98	45.88	63.6	65.6
NFP-60A-0314BF	60	56.03	36.83	43.33	52.23	70.0	72.0
NFP-64A-0104BF	64	58.57	39.37	45.87	54.77	72.5	74.5
NFP-64A-0114BF	64	58.57	39.37	45.87	54.77	72.5	74.5
NFP-64A-0124BF	64	58.57	39.37	45.87	54.77	72.5	74.5
NFP-64A-0314BF	64	58.57	39.37	45.87	54.77	72.5	74.5
NFP-64A-0324BF	64	58.57	39.37	45.87	54.77	72.5	74.5
NFP-80A-0114BF	80	68.73	49.53	56.03	64.93	82.7	84.7
NFP-80A-0124BF	80	68.73	49.53	56.03	64.93	82.7	84.7
NFP-80A-0314BF	80	68.73	49.53	56.03	64.93	82.7	84.7
NFP-100A-0114BF	100	81.43	62.23	68.73	77.63	95.4	97.4
NFP-100A-0124BF	100	81.43	62.23	68.73	77.63	95.4	97.4
NFP-100A-0314BF	100	81.43	62.23	68.73	77.63	95.4	97.4
NFP-100A-0324BF	100	81.43	62.23	68.73	77.63	95.4	97.4



X = 6.5 (Short latch type)
 4.0 (Long latch type)

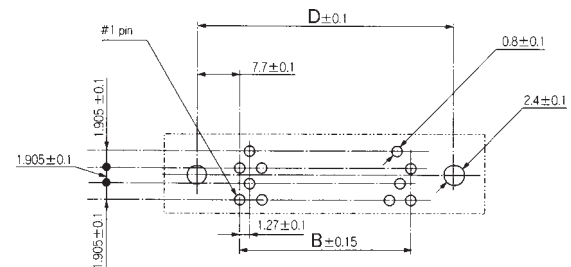
Y = 2.7 (Standard Terminal Length)

View 'A'

Recommended PCB Layout

Top View from Socket

For leads 10, 26, 34 and 50



For all other leads

